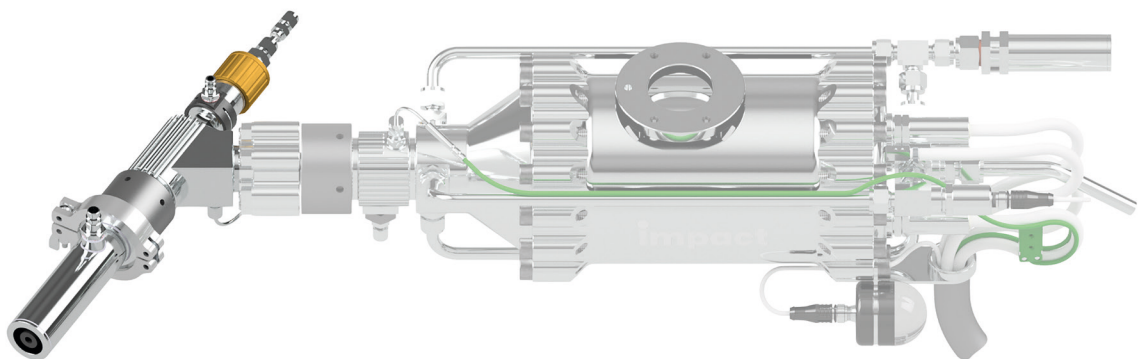
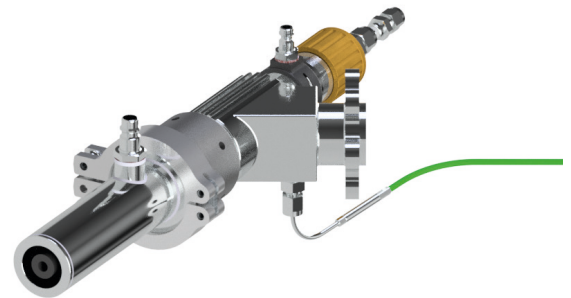


# CENTRAL INJECTOR KIT

10103.00.0.00

**Key facts:**

- Central injection of the powder
- Adjustable position of the powder injector
- Low risk of powder adhesion
- Compatible with all versions of the Impact Gun



The Central Injector Kit is an accessory for the Impact Gun. It enables a central powder injection into the convergent section of the laval nozzle. The optimized injection reduces the risk of powder adhesion for very fine and particularly temperature-sensitive powders, which increases the cost-effectiveness of the process. Depending on the requirements, the position of the powder injector can be changed mechanically.

An air-cooled powder injector is optionally available, which tends less to nozzle clogging due to its lower injector temperature. The component can be operated with maximum gas pressure and a maximum process temperature of 850 °C. It is also compatible with all versions of the Impact Gun.