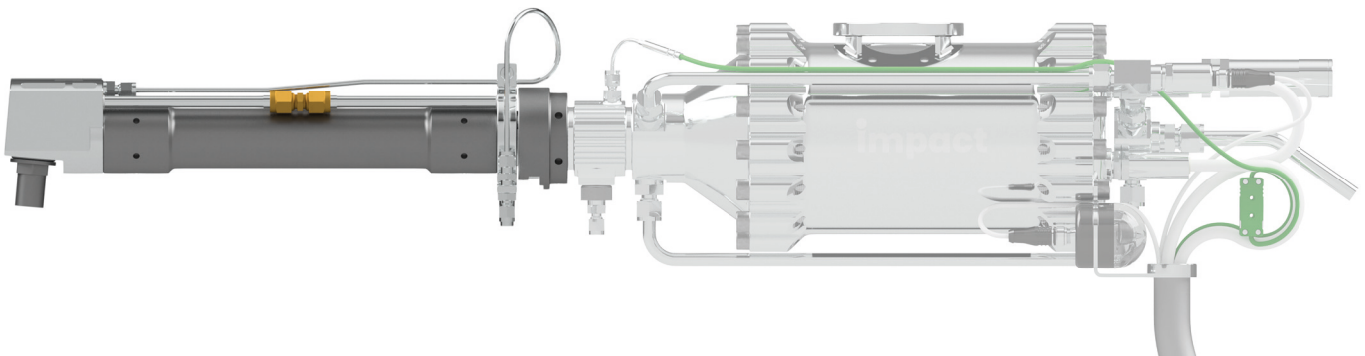
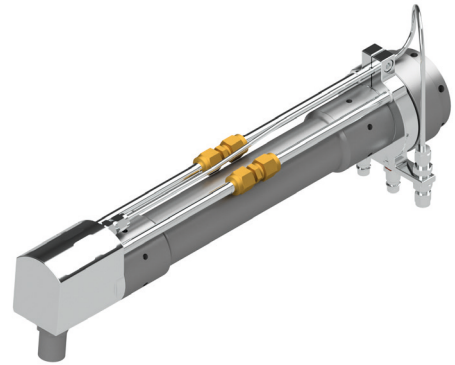


# ID COATING DEVICE

10107.00.0.00

### Key facts:

- Minimum coating diameter Ø84 mm
- Water cooled spray head and nozzle
- Central and axial injection of powder into the laval nozzle
- Standard device length 350 mm
- Customized device length upon request



The ID Coating Device is a versatile accessory for coating internal diameters with maximum gas pressure and maximum temperature. This component is compatible with all versions of the Impact Gun, except of the Impact Gun 5/8, the Impact Gun 5/8 EvoCSII and the Impact Gun 6/11 AH EvoCSII.

The intelligent design guarantees intensive co-

oling of the spray head and the laval nozzle. This improves the hardware life as well as the cost-effectiveness of the process. The ID Coating Device must always be operated in conjunction with a water cooling system.

Internal diameter applications of cold spray coatings are used in aerospace, automotive and general engineering applications.