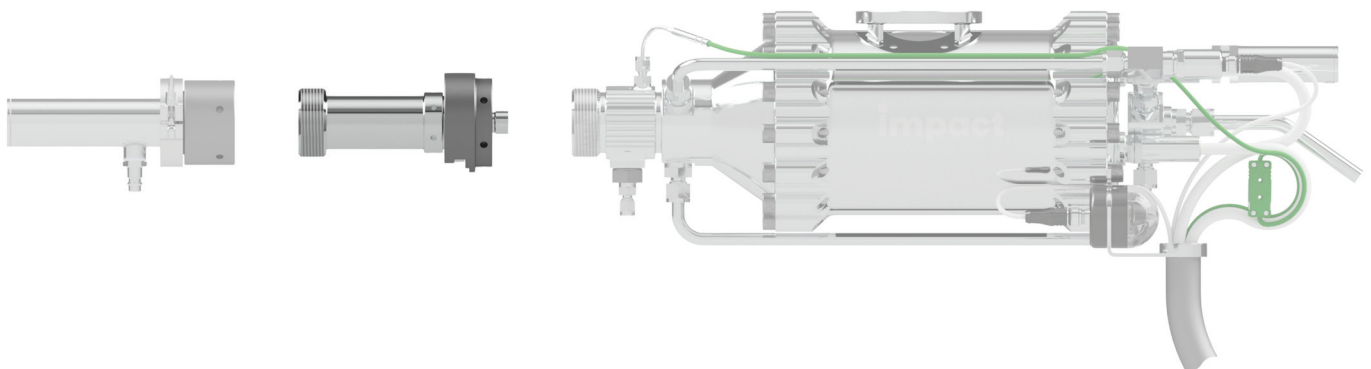


# PRECHAMBER EXTENSION KIT

10108.00.0.00

## Key facts:

- Higher heat input into the powder
- Standard lengths: 100 mm, 135 mm, 170 mm
- Compatible with all versions of the Impact Gun\*
- Adaption of the component length on request



The Prechamber Extension Kit is an accessory for the Impact Gun and is used to extend the distance between the powder injection and the smallest cross-section of the laval nozzle. This component has a direct influence on the residence time of the powder in the high temperature area of the Impact Gun. As a result, the single powder particles can absorb more

heat and can be deformed easier when they hit the surface.

The Prechamber Extension Kit is compatible with all versions of the Impact Gun\* as well as to the Central Injector Kit. It can be used at maximum gas pressure and maximum temperature.

\*Except for the Impact Gun 6/11 AH EvoCSII 10017.00.0.00, a specially adapted variant is available as an option.