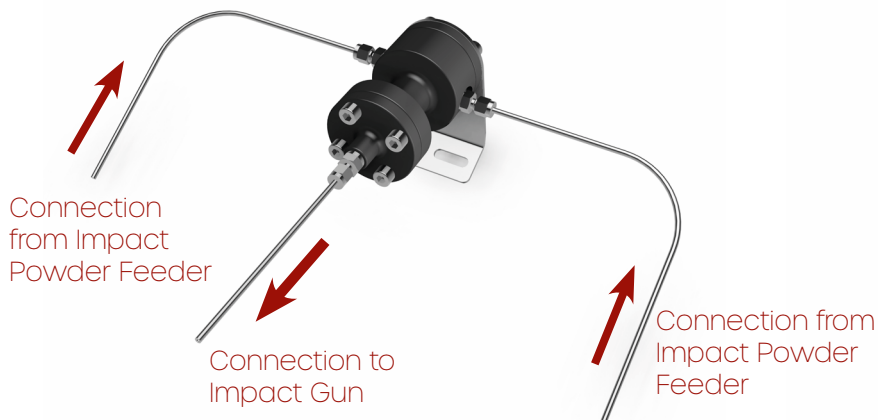
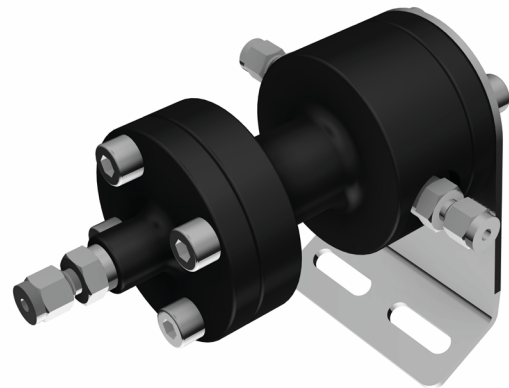


MIXING CHAMBER KIT

10104.00.0.00

Key facts:

- Connection between two Impact Powder Feeders and the Impact Gun
- Spraying two powders with different properties
- Spraying with a double feed rate
- Simple installation



The Mixing Chamber Kit is designed for simultaneous or parallel operation of two Impact Powder Feeders connected to the Impact Gun.

The device has similar benefits like the Y - Piece Kit (10106.00.0.00) but additionally ensures proper mixing of two different powders before being injected into the Laval nozzle. Especially when powders of different specific

weight and / or apparent density will be used, the Mixing Chamber Kit is an advanced tool. It is designed to be operated at maximum gas pressure and temperature.