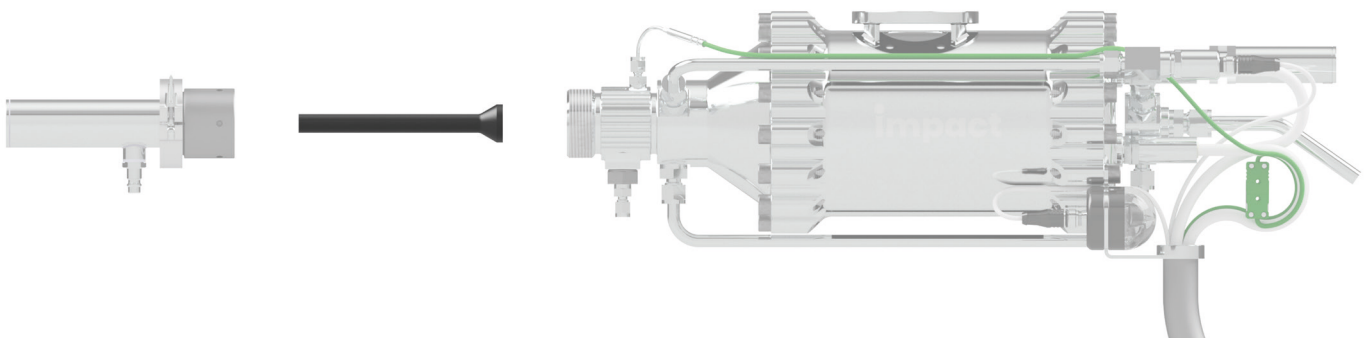


INJECTOR - OUT1 (WC)

10202.00.0.02

Key facts:

- Universal nozzle for all types of powder
- Compatible with all versions of the Impact Gun
- Combination with various accessories possible
- Tungsten carbide (WC) nozzle



The nozzle Injector - OUT1 is an universal nozzle for all types of powders. Operation in conjunction with air or water cooling is recommended. This greatly reduces wear and tear and the risk of nozzle clogging.

The nozzle Injector - OUT1 is compatible with all versions of the Impact Gun. It can also be used in combination with various accessories.

The WC - nozzle has a high wear resistance and is suitable for very hard materials.

Expansion ratio: 5.6
Total length: 160.0 mm