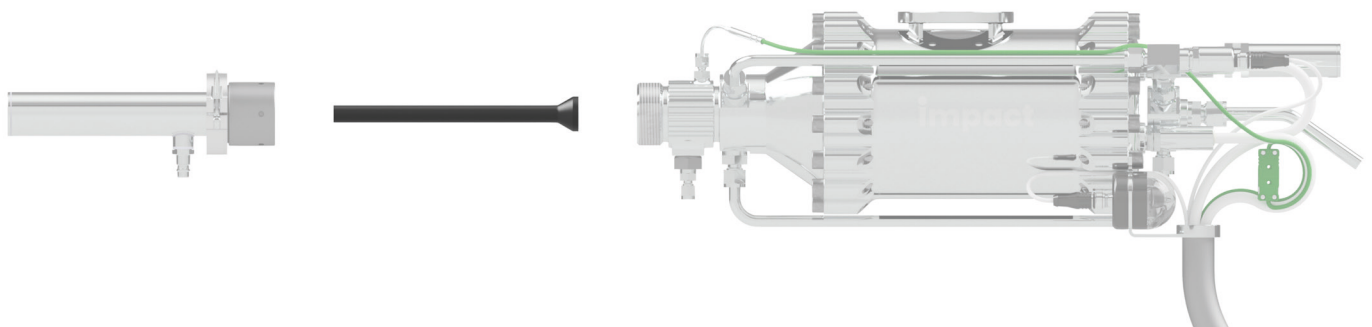


# INJECTOR - OUT4 (WC)

10205.00.0.02

**Key facts:**

- Higher particle velocity
- Compatible with all versions of Impact Gun
- Combination with various accessories possible
- Tungsten carbide (WC) nozzle



The nozzle Injector - OUT4 is an extended nozzle, especially for higher particle speeds. Operation in conjunction with air or water cooling is recommended. This greatly reduces wear and tear and the risk of nozzle clogging. The nozzle Injector - OUT4 is compatible with all versions of the Impact Gun. It can also be used in combination with various accessories.

The WC - nozzle has a high wear resistance and is suitable for very hard materials.

Expansion ratio: 7.6  
Total length: 210.8 mm