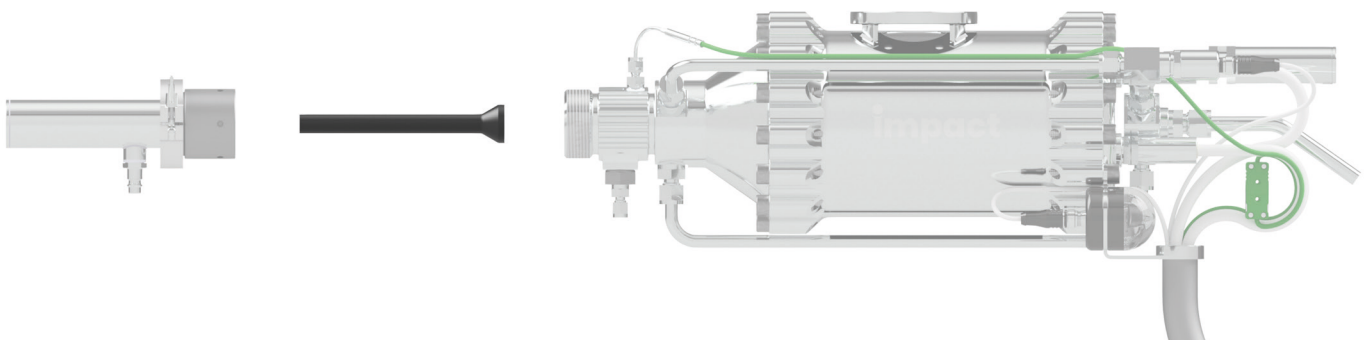


# INJECTOR - OUT5 (SiC)

10206.00.0.01

**Key facts:**

- Higher helium parameters possible
- Lower helium consumption
- Compatible with all versions of Impact Gun
- Combination with various accessories possible
- Silicon carbide (SiC) nozzle



The nozzle Injector - OUT5 is a nozzle that is specially designed for the use of helium as process gas. Thanks to the smaller nozzle throat, the helium consumption is up to 30% lower and higher process parameters can be reached. Operation in conjunction with air or water cooling is recommended. This greatly reduces wear and tear and the risk of nozzle clogging.

The nozzle Injector - OUT5 is compatible with all versions of the Impact Gun. It can also be used in combination with various accessories.

The SiC - nozzle, with low surface roughness on the inner contour, is extremely resistant to clogging and is therefore mainly suitable for softer materials.

Expansion ratio: 5.6  
Total length: 160.0 mm