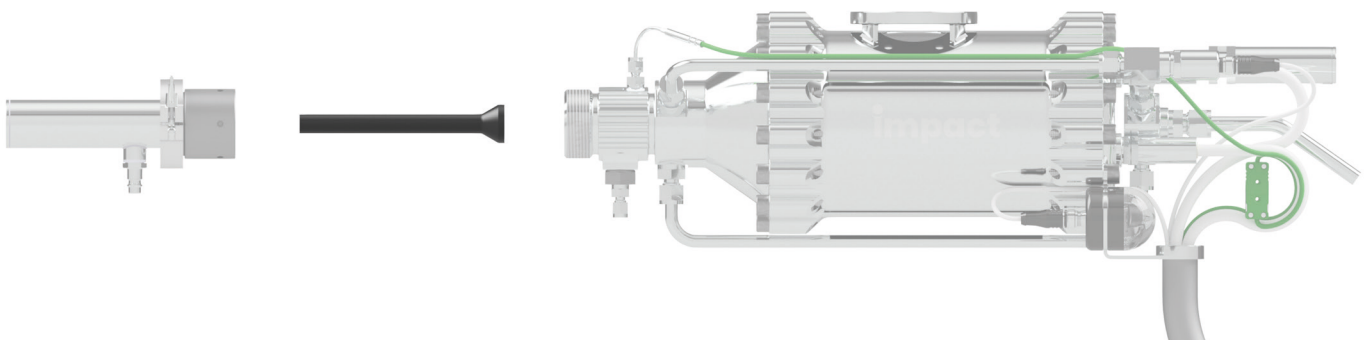


INJECTOR - OUT5 (WC)

10206.00.0.02

Key facts:

- Higher helium parameters possible
- Lower helium consumption
- Compatible with all versions of Impact Gun
- Combination with various accessories possible
- Tungsten carbide (WC) nozzle



The nozzle Injector - OUT5 is a nozzle that is specially designed for the use of helium as process gas. Thanks to the smaller nozzle throat, the helium consumption is up to 30% lower and higher process parameters can be reached. Operation in conjunction with air or water cooling is recommended. This greatly reduces wear and tear and the risk of nozzle clogging.

The nozzle Injector - OUT5 is compatible with all versions of the Impact Gun. It can also be used in combination with various accessories.

The WC - nozzle has a high wear resistance and is suitable for very hard materials.

Expansion ratio: 5.6

Total length: 160.0 mm