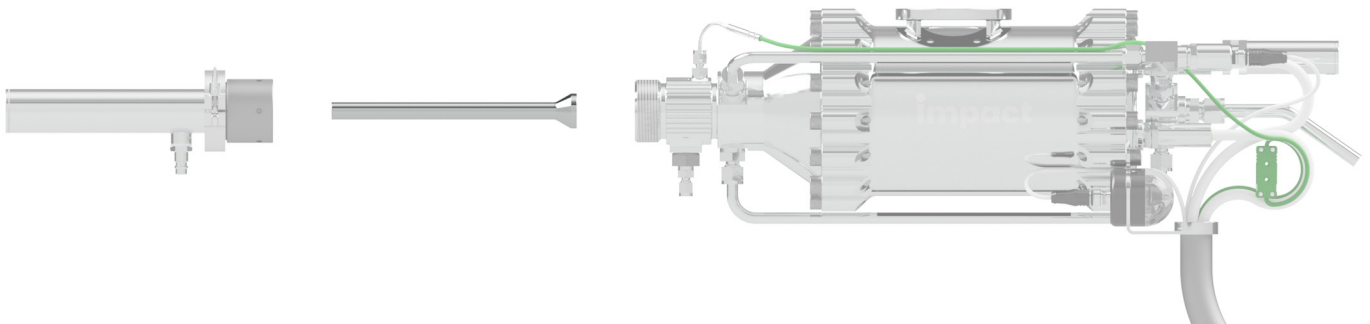
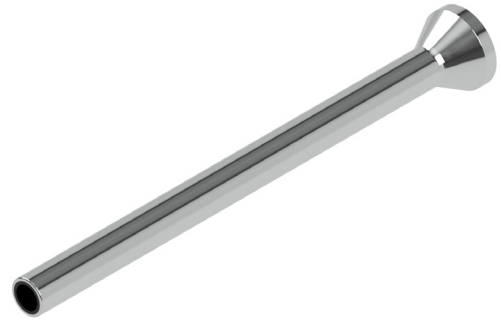


INJECTOR - OUT3

10204.00.1.00

Key facts:

- Specifically designed for spraying aluminium and aluminium alloys
- Nozzle core made of high-performance polymer
- Significant reduction in nozzle clogging risk
- Compatible with all variants of Impact Gun
- Suitable with various accessories



The Injector – OUT3 nozzle has been specifically developed for spraying aluminum alloys. Operation in combination with water cooling is recommended to significantly reduce the risk of nozzle clogging. The Injector – OUT3 is compatible with all variants of the Impact Gun and can also be combined with various additional components. Due to its polymer inner contour, the nozzle offers high resistance to clogging when spraying aluminum (Al 99.7, Al 99.99) and aluminum alloys (Al 7050, Al 7075, Al 6061). This enables long spraying durations with high

deposition rates – without nozzle clogging. Spraying of Al2024 is not recommended, as the melting range of the alloy is close to the nozzle working temperature and may lead to the polymer liner damage. The nozzle is designed for a maximum process gas temperature of 500 °C / 932 °F.

Expansion Ratio: 13.72
Overall Length: 210.8 mm
Material: Polymer + Stainless Steel