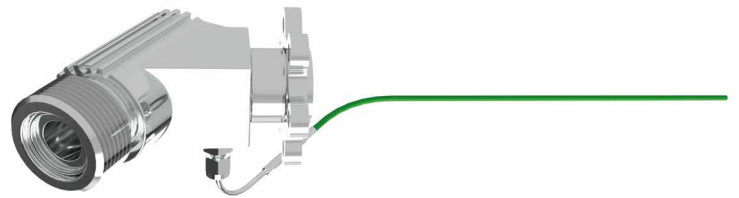


CENTRAL INJECTOR KIT FOR WCPI

10115.00.0.00

Key facts:

- Central powder injection
- Significant reduction of powder adhesion
- Compatible with all variants of the Impact Gun*

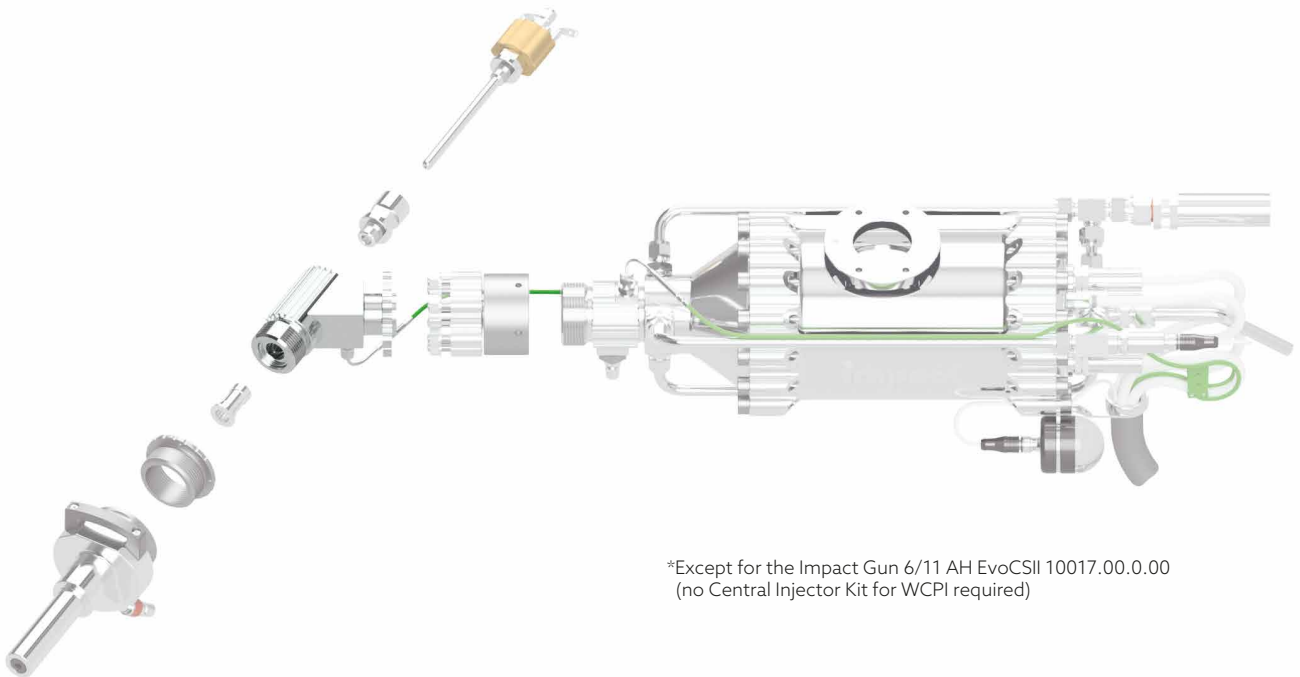


The Central Injector Kit for WCPI is an add-on component for all variants of the Impact Gun* and enables the exclusive use of the Water Cooled Powder Injector. The use of other powder injectors is not supported.

Thanks to the optimized powder feed in combination with efficient water cooling, the risk

of powder adhesion is significantly reduced - even when processing very soft or highly temperature-sensitive powders. This ensures reliable and stable operation, even with demanding materials.

The component is designed for operation with maximum gas pressure and a maximum process temperature of 850 °C.



*Except for the Impact Gun 6/11 AH EvoCSII 10017.00.0.00 (no Central Injector Kit for WCPI required)