

NOZZLE - OUT8

10214.00.0.00

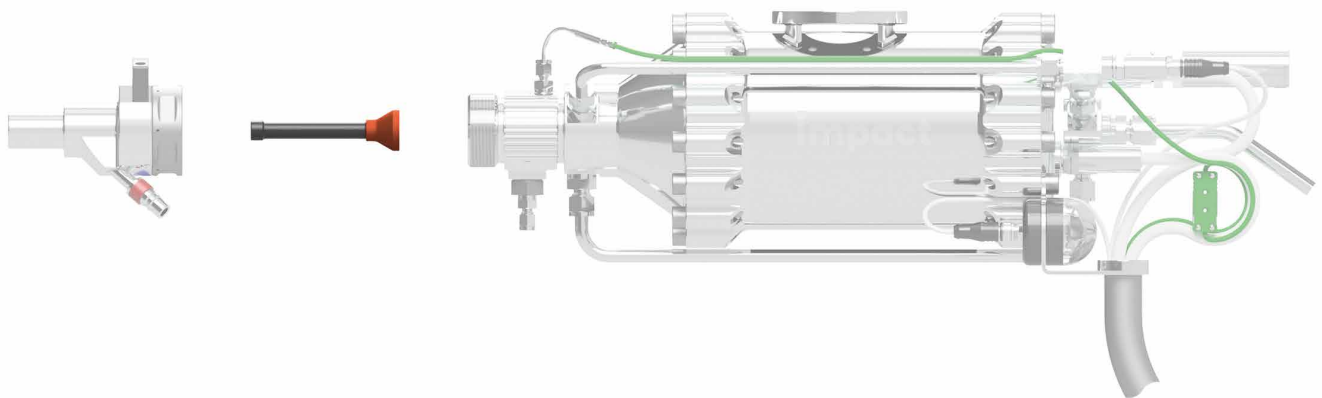
Key facts:

- Specifically designed for spraying tin (Sn)
- Copper inlet for improved cooling
- Constructed from high-performance polymer
- Compatible with all Impact Gun variants and various add-on components



The OUT8 Nozzle is specifically developed for cold spraying tin. It is compatible with all variants of the Impact Gun and ideally suited for repair applications, electronic components, and sputter targets.

The combination of copper and high-performance polymer ensures thermal stability and excellent clogging resistance. Operation in combination with water cooling is recommended to significantly reduce the risk of nozzle clogging.



Technical data

Maximum process gas temperature	550 °C
Expansion ratio	1
Total length	109.7 mm
Material	Copper + High-performance polymer