

NOZZLE - IN2 (WC)

10207.00.0.02

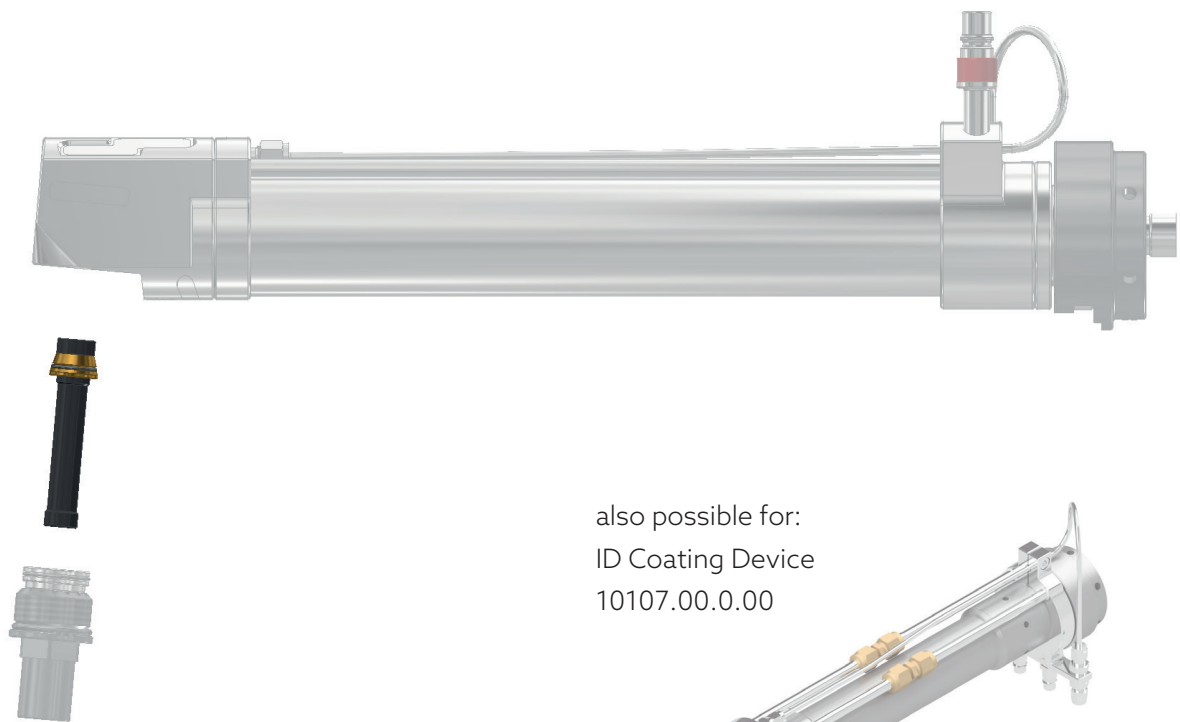
Key facts:

- High particle velocity



The Nozzle - IN2 is designed for the ID Coating Device and ID Coating Device V2. Due to the length of the nozzle, a high particle velocity is reached. Operation is only possible in conjunction with water cooling. This greatly reduces wear and tear and the risk of nozzle clogging.

The WC - nozzle has a high wear resistance and is suitable for very hard materials. It has a low surface roughness on the inner contour.



also possible for:
ID Coating Device
10107.00.0.00



Technical data

Expansion ratio	12.5
Total length	78.0 mm
Material	Tungsten carbide (WC)