

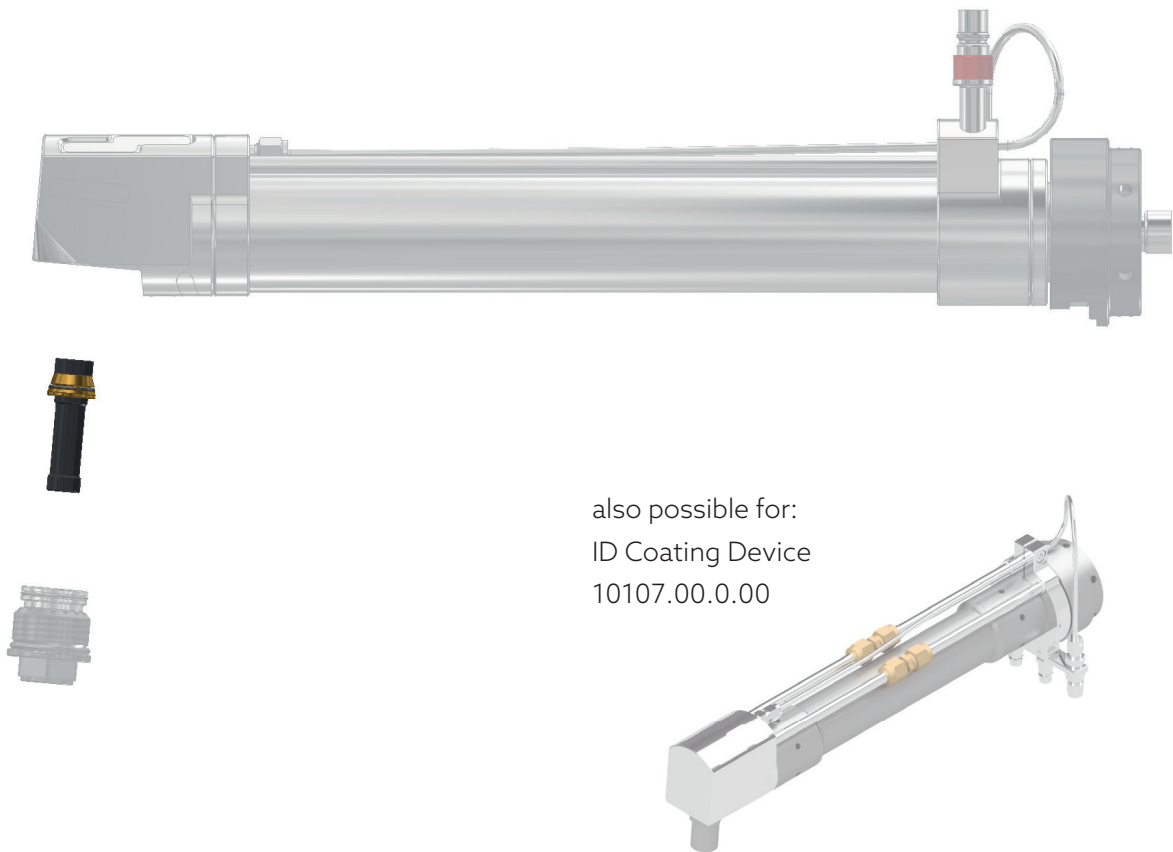
# NOZZLE - IN3 (WC)

10208.00.0.02



The Nozzle - IN3 is designed for the ID Coating Device and ID Coating Device V2. Operation is only possible in conjunction with water cooling. This greatly reduces wear and tear and the risk of nozzle clogging.

The WC - nozzle has a high wear resistance and is suitable for very hard materials. It has a low surface roughness on the inner contour.



also possible for:  
ID Coating Device  
10107.00.0.00

Technical data	
Expansion ratio	12.5
Total length	55.0 mm
Material	Tungsten carbide (WC)