

NOZZLE - IN4 (WC)

10210.00.0.01

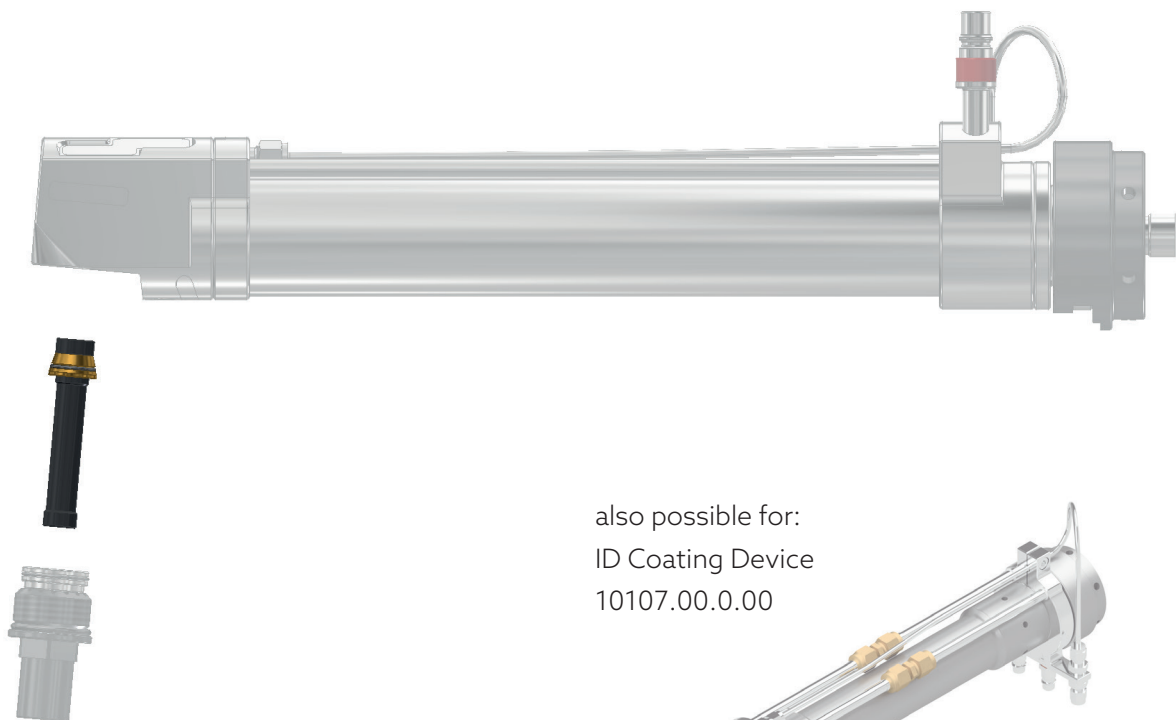
Key facts:

- High particle velocity



The Nozzle - IN4 is designed for the ID Coating Device and ID Coating Device V2. Due to its length and geometry, a high particle velocity is achieved. Operation is only possible in conjunction with water cooling. This greatly reduces wear and tear and the risk of nozzle clogging.

The WC nozzle has a high wear resistance and is suitable for very hard materials. It has a low surface roughness on the inner contour. The smallest cross-section corresponds to the OUT1 and OUT2 standard nozzles.



also possible for:
ID Coating Device
10107.00.0.00



Technical data	
Expansion ratio	12.4
Total length	78 mm
Material	Tungsten carbide (WC)